

MTA ΣΜΤC



**2-Speed Automatic**  
Transmission For Electric 2WHL & 3WHL

[www.mtaemtc.com](http://www.mtaemtc.com)

Feel The **#PowerofTwo**

# E1

Hub Mount  
2-Speed  
Automatic Transmission



# E2-1

Mid Mount  
2-Speed  
Automatic Transmission



# P2

Motor Mount  
2-Speed  
Automatic Transmission



## SPECIFICATIONS

ATTRIBUTES	E1 TRANSMISSION	
Gear Ratio*	First gear	1.8:1
	Second gear	1:1

ATTRIBUTES	E2-1 TRANSMISSION	
Gear Ratio*	First gear	2.64:1
	Second gear	1.47:1

ATTRIBUTES	P2 TRANSMISSION	
Gear Ratio*	First gear	2.57:1
	Second gear	1:1

\*Gear ratios can be altered as per vehicle requirements

## HIGHLIGHTS

- Automatic gears change in <0.19 second
- Gradeability increases upto 50%
- Increases the range upto 20%
- Increases the speed upto 50%

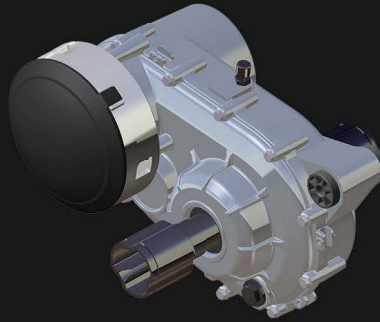
## APPLICATIONS

- Scooters
- Motorcycles



# E3-2

Rear Mount  
2-Speed  
Automatic Transmission



## HIGHLIGHTS

- Differential integrated type  
2-Speed Automatic Transmission
- Automatic gears change in <0.19 second
- Gradeability increases upto 50%
- Increases the range upto 20%
- Increases the speed upto 50%
- Simplified structure using patented  
electromagnetic clutch technology
- Can be used with fixed or independent  
drive shaft

## SPECIFICATIONS

ATTRIBUTES	E3-2 TRANSMISSION	
Gear Ratio*	First gear	15:1
	Second gear	8:1

\*Gear ratios can be altered as per vehicle requirements

## APPLICATIONS

- Three wheeler passenger
- Three wheeler cargo
- Four wheeler-Urban Logistics Mobility
- Light commercial vehicles upto 2.2T GWV



# COMPATIBLE CONTROLLERS & MOTORS PARTNERS



## CONTROLLERS



C-ELECTRIC



CURTIS



ENTUPLE  
E-MOBILITY

IRP systems



STERLING GTAKE  
E-MOBILITY

## MOTORS



TAEHWA

- Two speed automatic transmission algorithm is seamlessly tuned with above partner companies and OEM's can contact them directly or may request MTA for introduction wherever required.
- In case of any new Motor controller to be paired other than listed above, please contact MTA ETMC for algorithm integration support.
- Partner Company Logo's are used with their permission and MTA ETMC has only business relationships with our esteemed partners.

## Connect with us

MTA ETMC PVT. LTD.

Plot No 103, Sector 04, IMT Manesar, Gurgaon, Haryana, India - 122050



+91- 124-473-7334



+91- 981-167-9927



co@mtaev.com



/mtaemtc

Scan for website

