

**MTA ΣΜΤC**



# **2-Speed Automatic**

Transmission For Electric 2WHL & 3WHL

[www.mtaemtc.com](http://www.mtaemtc.com)

Feel The #PowerofTwo

# E1

2-Speed  
Automatic Transmission

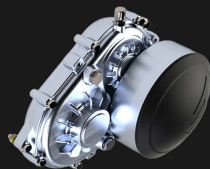
Hub Mount



# E2-1

2-Speed  
Automatic Transmission

Mid Mount



# P2

2-Speed  
Automatic Transmission

Motor Mount



## SPECIFICATIONS

ATTRIBUTES	E1 TRANSMISSION	
Gear Ratio*	First Gear	1.8:1
	Second Gear	1:1

ATTRIBUTES	E2-1 TRANSMISSION	
Gear Ratio*	First Gear	2.64:1
	Second Gear	1.47:1

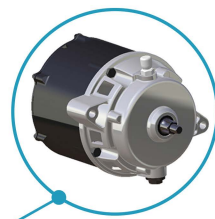
ATTRIBUTES	P2 TRANSMISSION	
Gear Ratio*	First Gear	2.57:1
	Second Gear	1:1

## HIGHLIGHTS

- Automatic gears change in <0.19 second
- Gradeability increases upto 50%
- Increases the range upto 20%
- Increases the speed upto 50%

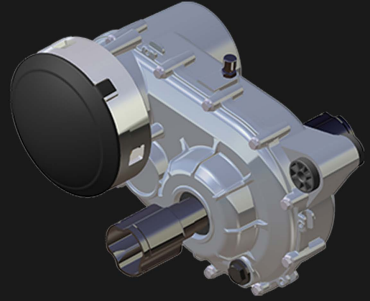
## APPLICATIONS

- Scooters
- Motorcycles



# E3-2

2-Speed Automatic Transmissions  
Rear Mount



## SPECIFICATIONS

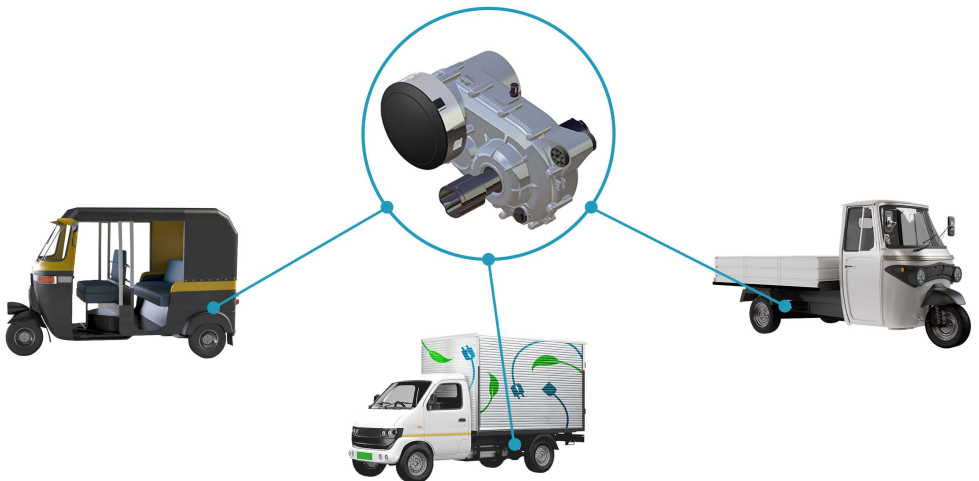
ATTRIBUTES	E3-2 TRANSMISSION	
Gear Ratio*	First Gear	14.8:1
	Second Gear	9.5:1

## APPLICATIONS

- Three wheeler passenger
- Three wheeler cargo
- Four wheeler-Urban Logistics Mobility
- Light commercial vehicles upto 2.2T GVW

## HIGHLIGHTS

- Differential integrated type  
2-Speed Automatic Transmission
- Automatic gears change in <0.19 second
- Gradeability increases upto 50%
- Increases the range upto 20%
- Increases the speed upto 50%
- Simplified structure using patented  
electromagnetic clutch technology
- Can be used with fixed or independent  
drive shaft



# COMPATIBLE MOTOR & CONTROLLER PARTNERS



## MOTOR



## CONTROLLER



- Two speed automatic transmission algorithm is seamlessly tuned with above partner companies and OEM's can contact them directly or may request MTA for introduction wherever required.
- In case of any new Motor controller to be paired other than listed above, please contact MTA EMTC for algorithm integration support.
- Partner Company Logo's are used with their permission and MTA ETMC has only business relationships with our esteemed partners.

## CONNECT WITH US

### MTA EMTC PVT. LTD.

Plot no. 103, Sector 04, IMT Manesar, Gurugram, Haryana - 122050, India

scan for website



+91-124-473-7334

+91-981-167-9927

co@mtaev.com

/mtaemtc